

Open Ended Card Edge: 00-9159-BTB

General Description



KYOCERA AVX was challenged with increasing the pin count density as well as minimizing the size of the existing coplanar BTB card edge connector for linear strip lighting. The current product is a 2.0mm with single contacts that straddle the PCB to make electrical connection on both the top and bottom side of the board. By simply changing the contacts to a double sided configuration (separate contacts for both the top and bottom of the PCB), KYOCERA AVX was able to double the pin count in the same 2.0mm pitch with minimal to no impact on the electrical performance of the connector. Reducing the size of the connector required a complete new design as the target was a 4p connector with a total length of 4.0mm. To achieve this, KYOCERA AVX removed the end walls and then added a center support/keying rib to pre-align the PCB during mating. This rib then holds the PCB in the proper functional location.

The new family of connectors is available with contact sizes of 4, 6, 8 and 10 positions, doubling the current products range. The current rating will be 3A for the 4p and 6p, and then drop to 2.5A for the 8p and 10p connector. The connector supports the standard 1.6mm PCB thickness.

This new connector provides the highest density to reliably connect two in-line PCB's together in the most cost effective assembled solution. More importantly, the increased pin count allows for more flexibility in mixing and matching power and signal lines.

APPLICATIONS

- Linear LED strip lighting
- Commercial/Industrial co-planar or extended card applications
- Reference Product Specification 201-01-144

FEATURES AND BENEFITS

- Miniaturized size, achieves 1.0mm in length for each number of contacts (4p =4.0mm)
- Double Ended/Double Sided contacts for increased pin count density on standard 1.6mm thick PCB's
- Central polarizing/location rib assures proper mating and PCB location
- High current capabilities: 3A; 4p/6p and 2.5A; 8p/10p
- Economical high force Tin-to-Tin contact interface

ELECTRICAL

- Current Rating: 3.0 amps 4p/6p and 2.5 amps 8p/10p
- Voltage Rating: 300 VAC

ENVIRONMENTAL

- Operating Temperature: -40°C to +125°C

MECHANICAL

- Insulator Material: Nylon 46: UL94V0
- Contact Material: Phosphor Bronze
- Plating: Tin over Nickel
- Durability: 5 Cycles

HOW TO ORDER

00

Prefix

9159

Series

00X

Number of Ways

Code	No of Ways	Details
004	4	Page 78
006	6	Page 79
008	8	Page 80
010	10	Page 81

0

Single Part PCB Strip Connector

61

PCB Thickness
61 = Open Ended PCB Thickness
1.6-±0.10

X

Color Options

Code	Color	Application
8	Black	Special Order
9	White	Standard

1

Packaging Options
1 = Bag

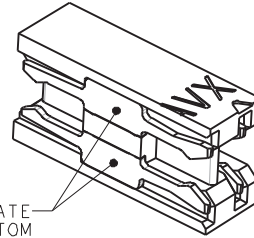
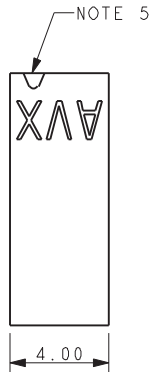
X

Plating Option
6 = Pure Tin all over
1 = Gold Flash

Certification: UL File #E90723



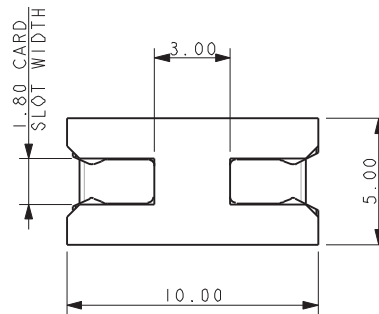
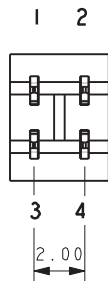
4 WAY SINGLE PART PCB STRIP CONNECTOR – OPEN ENDED



CONTACTS SEPERATE
TOP AND BOTTOM

SECTION VIEW THROUGH CONTACT

POSITION

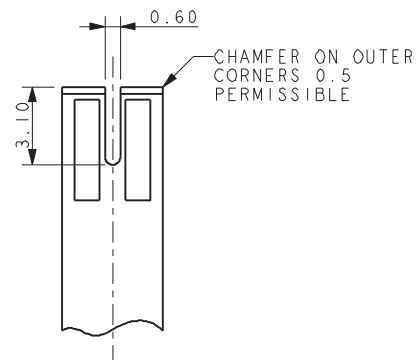
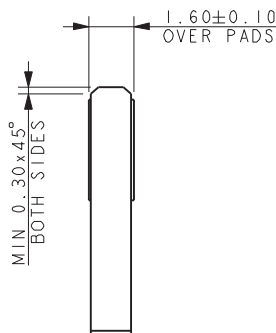
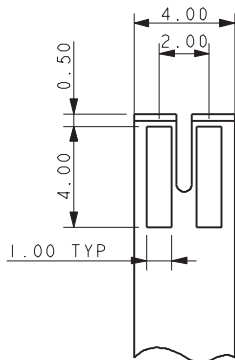


NOTES:

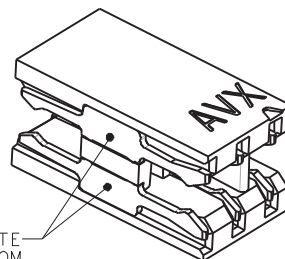
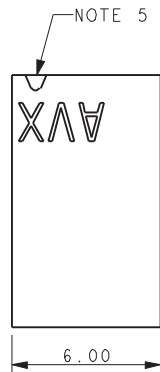
1. INSULATOR MATERIAL NYLON 46, UL94 V-0.
COLOR REFER TO PAGE 77.
2. CONTACT MATERIAL COPPER ALLOY, TIN PLATED
3. PARTS TO BE SUPPLIED IN BAGS, 1000 PIECES PER BAG.
4. GENERAL TOLERANCE $\pm 0.20\text{MM}$ UNLESS STATED.
5. ARROW ADJACENT TO CONTACT POSITION 1.
6. PCB PAD, TIN PLATED OR TIN PLATED WITH GOLD FLASH.
7. FURTHER DETAILS REFER TO ELCO SPECIFICATION 201-01-144.

SUGGESTED PCB LAYOUT

PADS THE SAME UPPER AND LOWER FACES
PCB THICKNESS $1.60 \pm 0.10\text{MM}$ (OVER PADS)



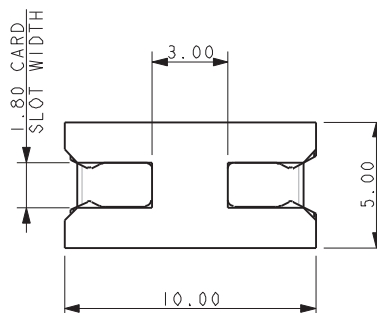
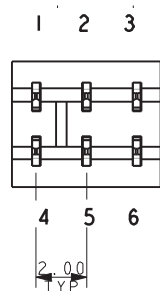
6 WAY SINGLE PART PCB STRIP CONNECTOR – OPEN ENDED



CONTACTS SEPERATE
TOP AND BOTTOM

SECTION VIEW THROUGH CONTACT

POSITION

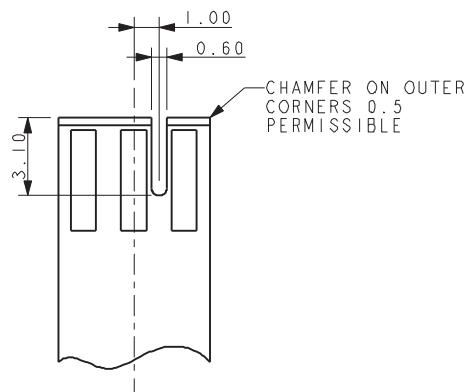
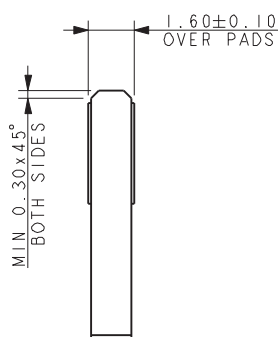
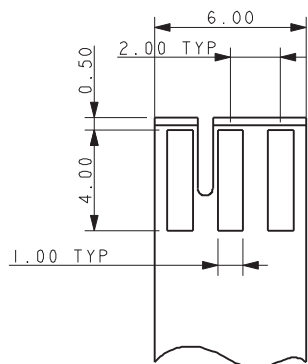


NOTES:

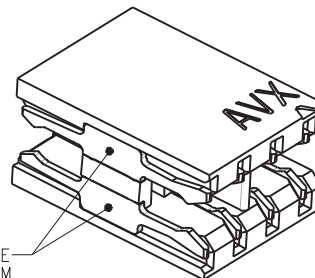
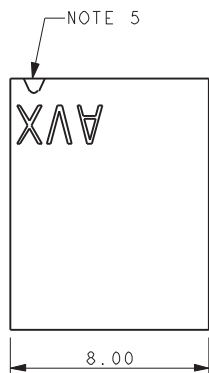
1. INSULATOR MATERIAL NYLON 46, UL94 V-0.
COLOR REFER TO PAGE 77.
2. CONTACT MATERIAL COPPER ALLOY, TIN PLATED
3. PARTS TO BE SUPPLIED IN BAGS, 1000 PIECES PER BAG.
4. GENERAL TOLERANCE ± 0.20 MM UNLESS STATED.
5. ARROW ADJACENT TO CONTACT POSITION 1.
6. PCB PAD, TIN PLATED OR TIN PLATED WITH GOLD FLASH.
7. FURTHER DETAILS REFER TO ELCO SPECIFICATION 201-01-144.

SUGGESTED PCB LAYOUT

PADS THE SAME UPPER AND LOWER FACES
PCB THICKNESS 1.60 ± 0.10 MM (OVER PADS)

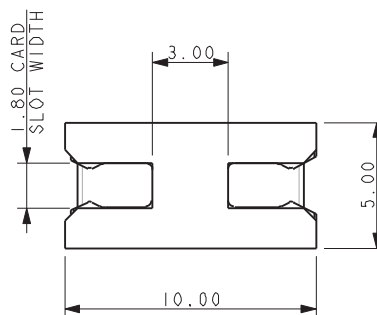
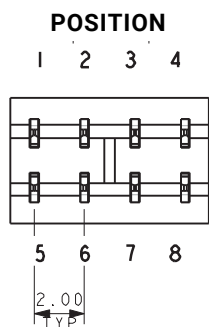


8 WAY SINGLE PART PCB STRIP CONNECTOR – OPEN ENDED



CONTACTS SEPERATE
TOP AND BOTTOM

SECTION VIEW THROUGH CONTACT

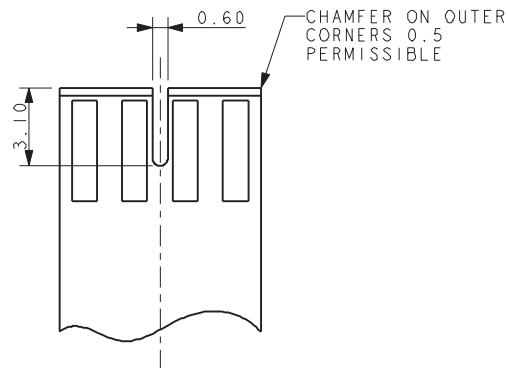
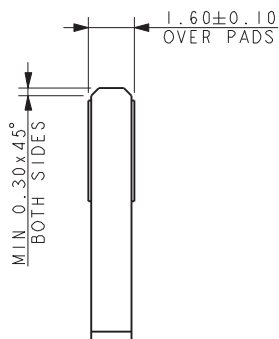
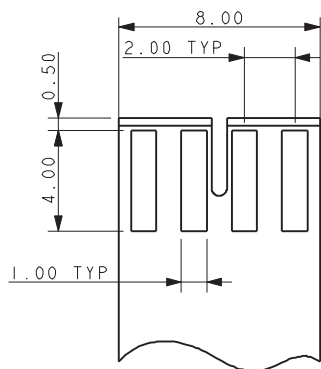


NOTES:

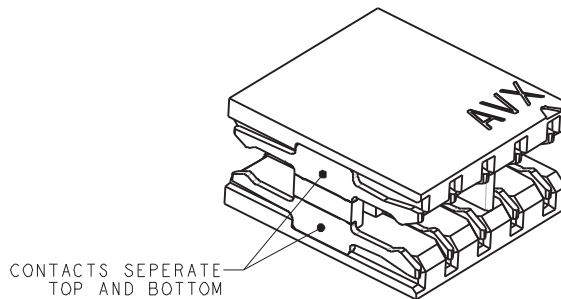
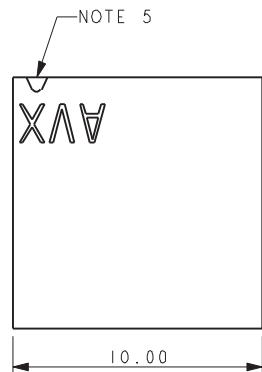
1. INSULATOR MATERIAL NYLON 46, UL94 V-0.
COLOR REFER TO PAGE 77.
2. CONTACT MATERIAL COPPER ALLOY, TIN PLATED
3. PARTS TO BE SUPPLIED IN BAGS, 1000 PIECES PER BAG.
4. GENERAL TOLERANCE $\pm 0.20\text{MM}$ UNLESS STATED.
5. ARROW ADJACENT TO CONTACT POSITION 1.
6. PCB PAD, TIN PLATED OR TIN PLATED WITH GOLD FLASH.
7. FURTHER DETAILS REFER TO ELCO SPECIFICATION 201-01-144.

SUGGESTED PCB LAYOUT

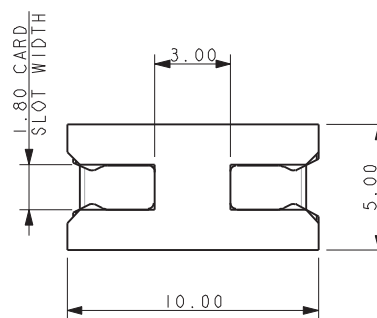
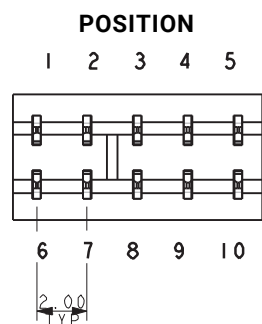
PADS THE SAME UPPER AND LOWER FACES
PCB THICKNESS $1.60 \pm 0.10\text{MM}$ (OVER PADS)



10 WAY SINGLE PART PCB STRIP CONNECTOR – OPEN ENDED



SECTION VIEW THROUGH CONTACT

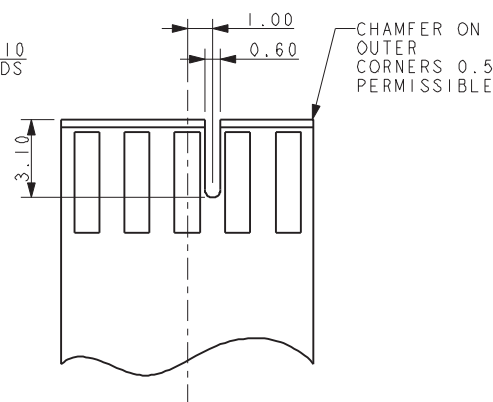
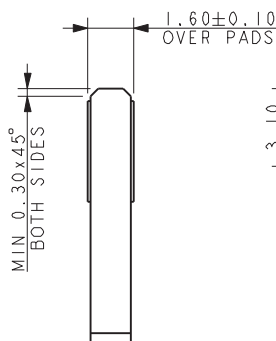
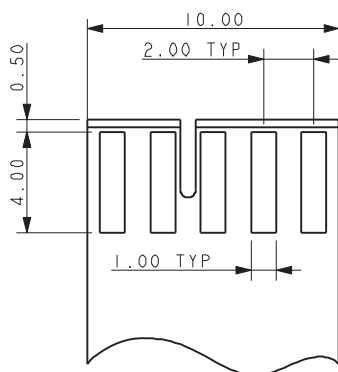


NOTES:

1. INSULATOR MATERIAL NYLON 46, UL94 V-0. COLOR REFER TO PAGE 77.
2. CONTACT MATERIAL COPPER ALLOY, TIN PLATED
3. PARTS TO BE SUPPLIED IN BAGS, 1000 PIECES PER BAG.
4. GENERAL TOLERANCE $\pm 0.20\text{MM}$ UNLESS STATED.
5. ARROW ADJACENT TO CONTACT POSITION 1.
6. PCB PAD, TIN PLATED OR TIN PLATED WITH GOLD FLASH.
7. FURTHER DETAILS REFER TO ELCO SPECIFICATION 201-01-144.

SUGGESTED PCB LAYOUT

PADS THE SAME UPPER AND LOWER FACES
PCB THICKNESS $1.60 \pm 0.10\text{MM}$ (OVER PADS)



Mouser Electronics

Authorized Distributor

Click to View Pricing, Inventory, Delivery & Lifecycle Information:

KYOCERA AVX:

[009159008061916](#) [009159004061916](#) [009159006061916](#) [009159010061916](#) [009159008061816](#)
[009159006061911](#) [009159010061911](#)